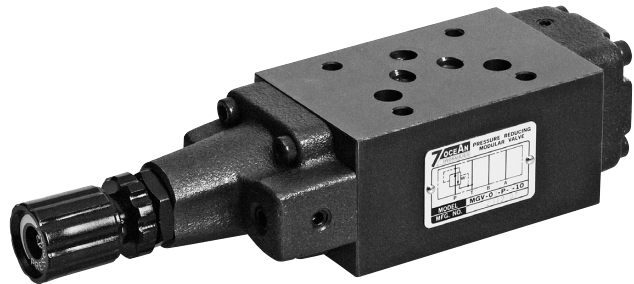


PRESSURE REDUCING VALVE

SANDWICH PLATE DESIGN MGVO3 SIZE 10

FEATURES :

- Highest performance in NG 10
- Direct operated pressure reducing valves
- Sandwich plate design
- 4 pressure adjusting ranges.
- 3 optional effective directions of flow
- Pressure reduction in ports A, B, or P
- Connections to DIN, ISO and CETOP



Model: MGVO3-P-3-10

SPECIFICATION :

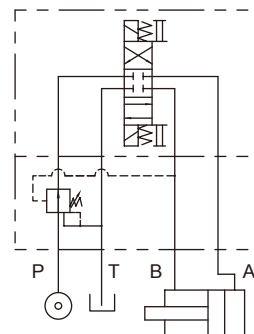
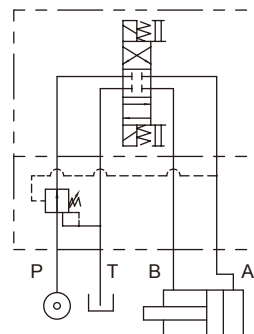
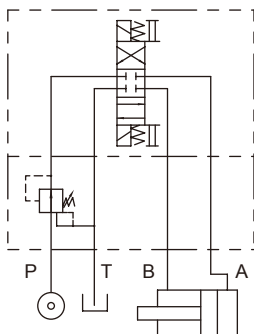
| | | |
|-----------------------------------|---------------------------|--------|
| Maximum Flow Rate | 80 l/Min (21.1 GPM) | |
| Maximum working pressure | 320 Bar (4570 PSI) | |
| Pressure Adjusting Range | 0: 2.5~35 Bar | |
| | 1: 7~70 Bar | |
| | 2: 7~140 Bar | |
| | 3: 7~210 Bar | |
| Ambient Temperature Range | -20°C~+50°C | |
| Hydraulic Fluid Temperature Range | -20°C~+70°C | |
| Viscosity Range | 15~400 mm ² /S | |
| Hydraulic Oil | ISO VG32, 46, 68 | |
| Fluid Cleanliness | 25 μm | |
| Mounting Pattern | ISO 4401-AC-05-4-A | |
| Weight | P Type | 3.8 kg |
| | A Type | 3.8 kg |
| | B Type | 3.8 kg |

HYDRAULIC CONFIGURATION:

■ MGVO3-P-* -10

■ MGVO3-A-* -10

■ MGVO3-B-* -10



PRESSURE REDUCING VALVE

SANDWICH PLATE DESIGN MGVO3 SIZE 10

ORDERING CODE :

M GV - 03 - P - 1 - 10 - **
 1 2 3 4 5 6 7

1 SANDWICH PLATE DESIGN

2 PRESSURE REDUCING VALVE

3 NOMINAL VALVE SIZE:

NG 10, CETOP 5 and ISO 4401-05 (NFPA-D05/DIN 24340)

4 CONFIGURATION

P: reduced pressure on P port

A: reduced pressure on A port

B: reduced pressure on B port

5 SPRING CRACKING PRESSURE

0: 2.5~35 Bar

1: 7~70 Bar

2: 7~140 Bar

3: 7~210 Bar

6 DESIGN NUMBER

10: with handle

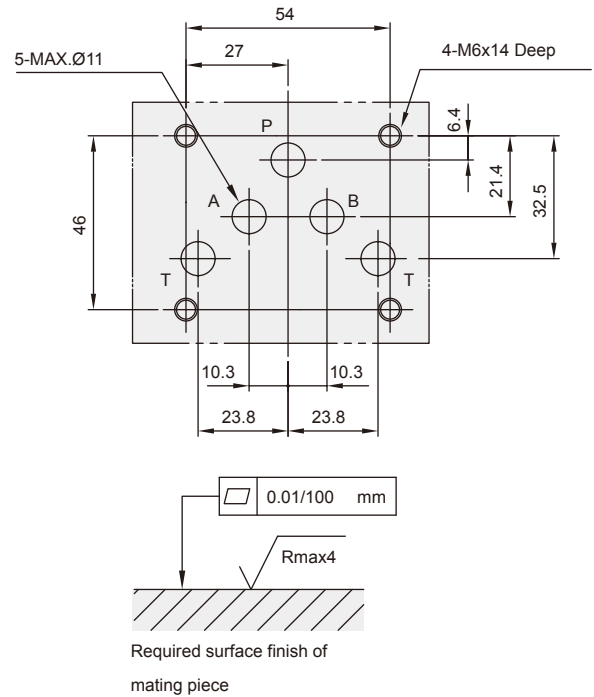
20: without handle

7 OPTIONAL INQUIRY

B: handle on A port side

INSTALLATION DIMENSIONS:

(Machined valve mounting face with position of ports)

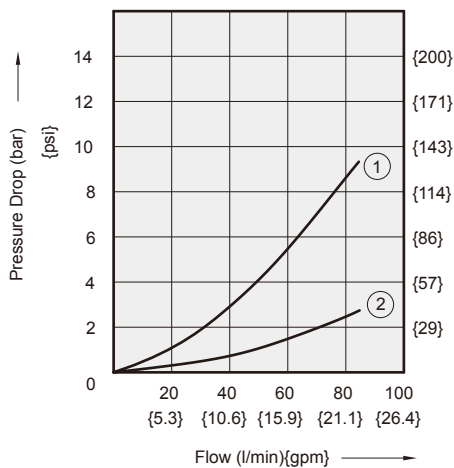


PERFORMANCE CURVES:

Viscosity of Hydraulic Fluid: 32 mm²/s

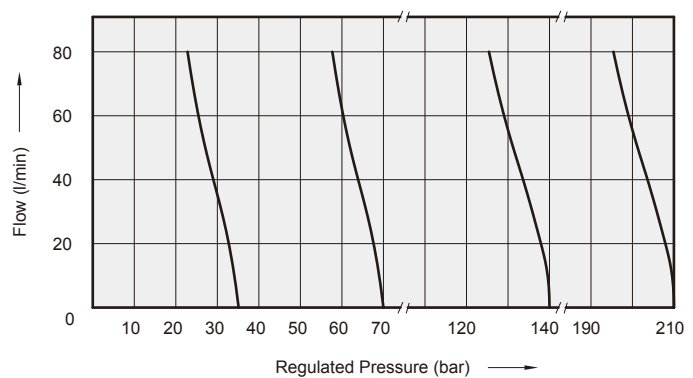
Pressure Drop Characteristic

■ MGVO3-P-*-10



Regulated Pressure V.S. Flow Diagram

■ MGVO3-P-*-10



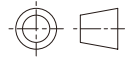
1. Differential pressure variation V.S. variation of flow between inlet port and use port
2. Differential pressure variation V.S. variation of between use port and discharge port

PRESSURE REDUCING VALVE

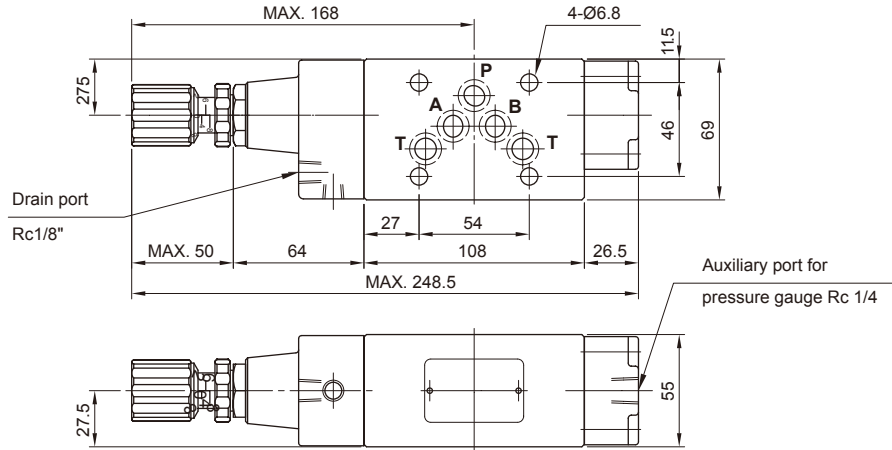
SANDWICH PLATE DESIGN MGVO3 SIZE 10

DIMENSIONS :

3rd angl
projection

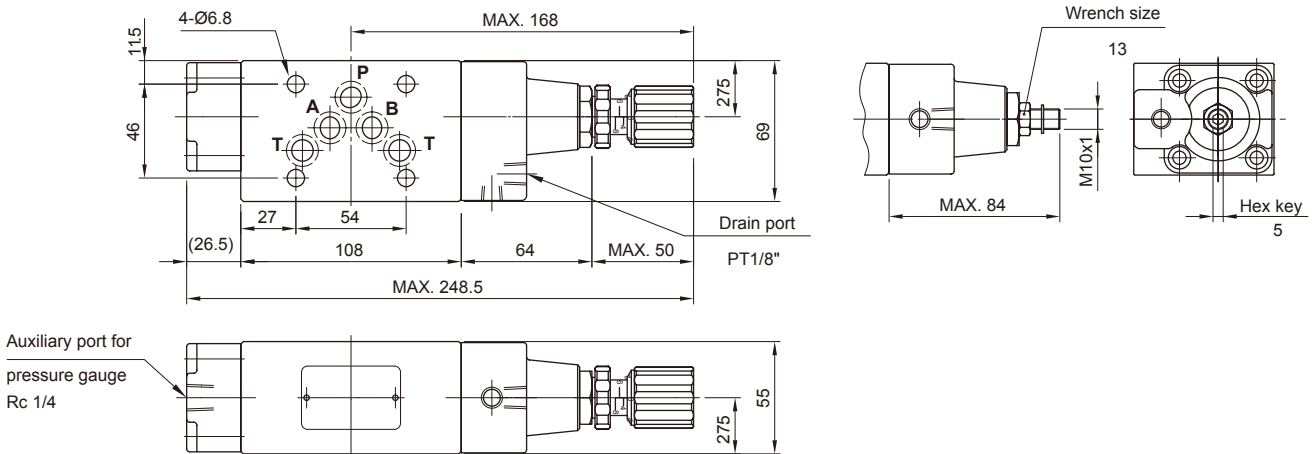


- MGVO3-P-*-10
- MGVO3-B-*-10



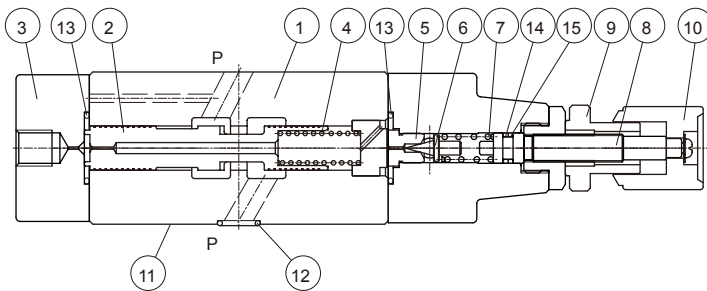
- MGVO3-P-*-10-B
- MGVO3-A-*-10

- MGVO3-*-*-20



CROSS SECTION DRAWING :

- MGVO3-P-*-10-B



- | | |
|-----------------------|--|
| 1.Body | 10. Adjustment element |
| 2.Spool | 11.Connections to DIN 24340 from A10; valve fixing screws M6x90 DIN 912-10.9, tightening torque 12~15 Nm |
| 3.Cover | 12.O-ring AS586-014(Hs90) for ports A,B,P and T |
| 4.Adjustment spring 1 | 13.O-ring 1B-P22 |
| 5.Seat | 14.O-ring 1A-P8 |
| 6.Poppet | 15.O-ring BU-P8 |
| 7.Adjustment spring 2 | |
| 8.Setting Screw | |
| 9.Locking nut. | |