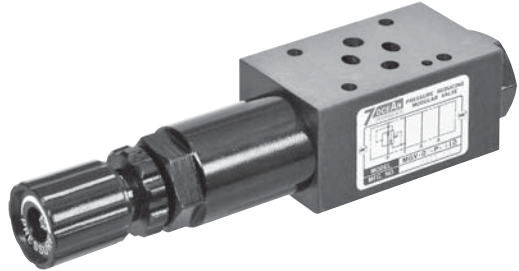


PRESSURE REDUCING VALVE

SANDWICH PLATE DESIGN MGVO2 SIZE 6

FEATURES :

- Highest performance in NG 6
- Direct operated pressure reducing valves
- Sandwich plate design
- 4 pressure adjusting ranges
- 3 optional effective directions of flow
- Pressure reduction in ports A, B, or P
- Connections to DIN, ISO and CETOP



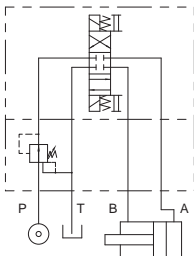
Model: MGVO2-P-0-10H

SPECIFICATION :

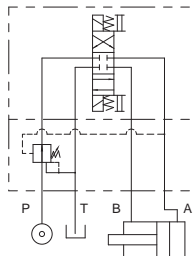
| | | |
|-----------------------------------|---------------------------|--------|
| Maximum Flow Rate | 40 l/Min (10.6 GPM) | |
| Maximum working pressure | 320 Bar (4570 PSI) | |
| Pressure Adjusting Range | 0: 1.5~35 Bar | |
| | 1: 7~70 Bar | |
| | 2: 7~140 Bar | |
| | 3: 7~210 Bar | |
| Ambient Temperature Range | -20°C ~ +50°C | |
| Hydraulic Fluid Temperature Range | -20°C ~ +70°C | |
| Viscosity Range | 15~400 mm ² /S | |
| Hydraulic Oil | ISO VG32, 46, 68 | |
| Fluid Cleanliness | 25µm | |
| Mounting Pattern | ISO 4401-AB-03-4-A | |
| Weight | P Type | 1.3 kg |
| | A Type | 1.3 kg |
| | B Type | 1.3 kg |

HYDRAULIC CONFIGURATION:

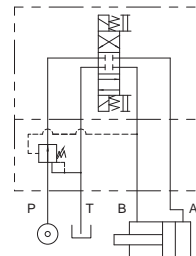
■ MGVO2-P-*-10



■ MGVO2-A-*-10



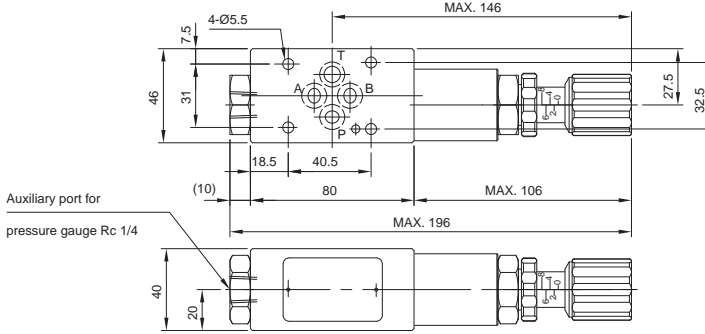
■ MGVO2-B-*-10



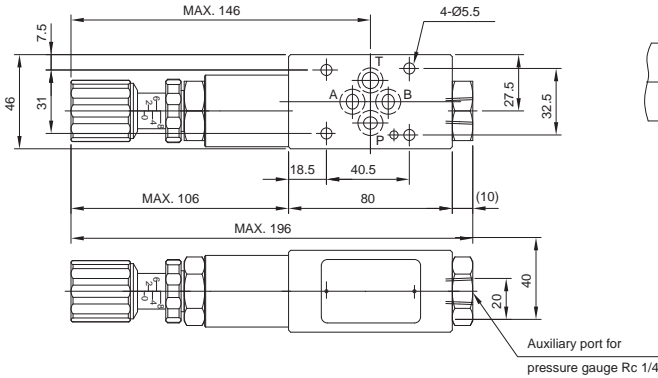
PRESSURE REDUCING VALVE
SANDWICH PLATE DESIGN MGVO2 SIZE 6

DIMENSIONS :

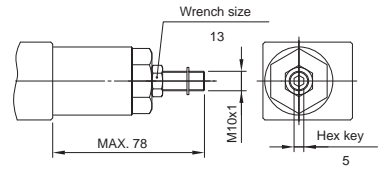
- MGVO2-P-*-10-H
- MGVO2-A-*-10-H



- MGVO2-B-*-10-H

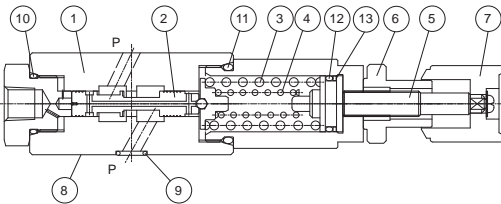


- MGVO2-*-*-20



CROSS SECTION DRAWING :

- MGVO2-P-*-10



- | | |
|---|---------------------------------------|
| 1. Body | 9. O-ring 1B-P9 for ports A,B,P and T |
| 2. Spool | 10. O-RING 1B-P20 |
| 3. Adjustment spring 1 | 11. O-RING 1B-P26 |
| 4. Adjustment spring 2 | 12. O-RING 1A-P18 |
| 5. Setting screw | 13. O-RING BU-P18 |
| 6. Locking nut | |
| 7. Adjustment element | |
| 8. Connections to DIN 24340 from A6; valve fixing screws M5 DIN 912-10.9 tightening torque 8~9 Nm | |