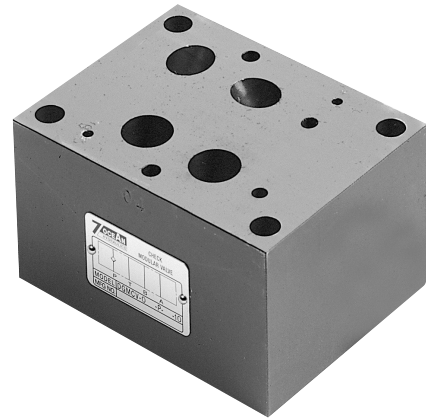


CHECK VALVE

SANDWICH PLATE DESIGN MCV04 SIZE 16

FEATURES :

- Highest performance in NG 16
- Sandwich plate design for use in vertical stacking
- Assemblies
- Direct operated check valve
- 4 different isolating functions
- Connections to DIN, ISO and CETOP



Model: MCV-04-P-1-10

SPECIFICATION :

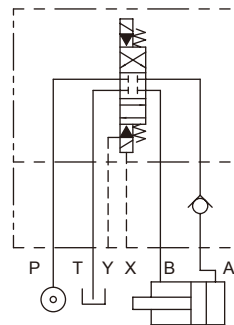
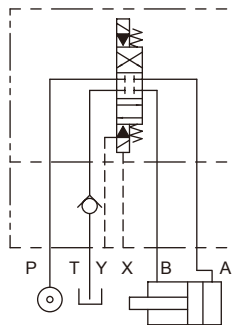
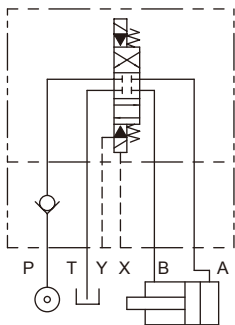
Maximum Flow Rate		300 l/Min (79.3 GMP)
Maximum working pressure		320 Bar (4570 PSI)
Spring cracking pressure		1: 0.4 Bar (5.7 PSI)
		2: 3.5 Bar (50 PSI)
		3: 5.0 Bar (71 PSI)
Ambient Temperature Range		-20°C ~ +50°C
Hydraulic Fluid Temperature Range		-20°C ~ +70°C
Viscosity Range		15 ~ 400 mm ² /S
Hydraulic Oil		ISO VG32, 46, 68
Fluid Cleanliness		25 μm
Mounting Pattern		ISO 4401-AD-07-4-A
Weight	P Type	4.6 kg
	A Type	4.6 kg
	T Type	6.5 kg

HYDRAULIC CONFIGURATION:

■ MCV-04-P-*-10

■ MCV-04-T-*-10

■ MCV-04-A-*-10



CHECK VALVE

SANDWICH PLATE DESIGN MCVO4 SIZE 16

ORDERING CODE :

M CV - 04 - P - 1 - 10 - **

1 2 3 4 5 6 7

1 SANDWICH PLATE DESIGN

2 CHECK VALVE

3 NOMINAL VALVE SIZE:

NG 16, CETOP7 and ISO 4401-07 (NFPA-D07/DIN 24340)

4 CONFIGURATION

P: single; acting on port P

T: single; acting on port T

A: single; acting on port A

5 SPRING CRACKING PRESSURE

1: 0.4 Bar

2: 3.5 Bar

3: 5.0 Bar

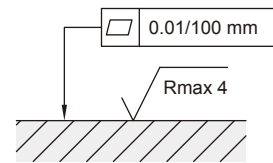
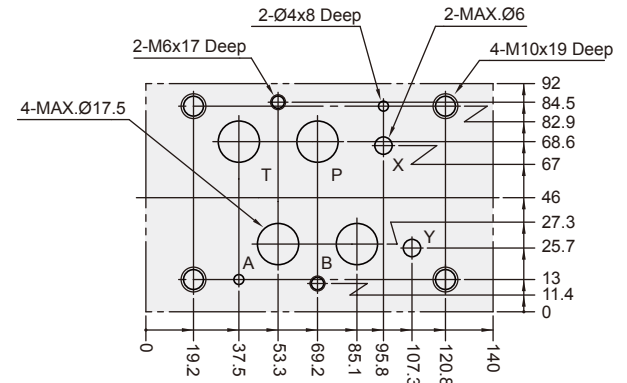
6 DESIGN NUMBER

7 OPTIONAL INQUIRY

INSTALLATION DIMENSIONS:

(Machined valve mounting face with position of ports)

Mounting Surface: ISO 4401-AD-07-4-A



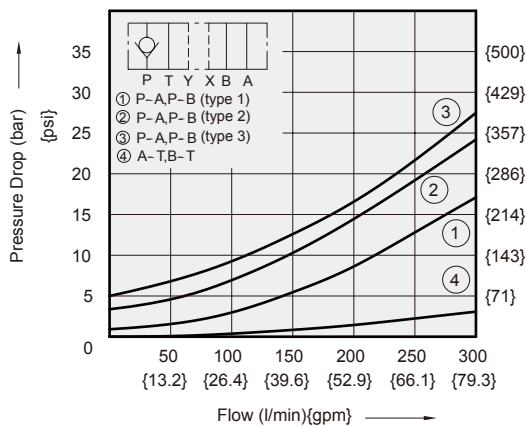
Required surface finish of mating piece when fitting the valve without subplate

PERFORMANCE CURVES:

Viscosity of Hydraulic Fluid: 32 mm²/s

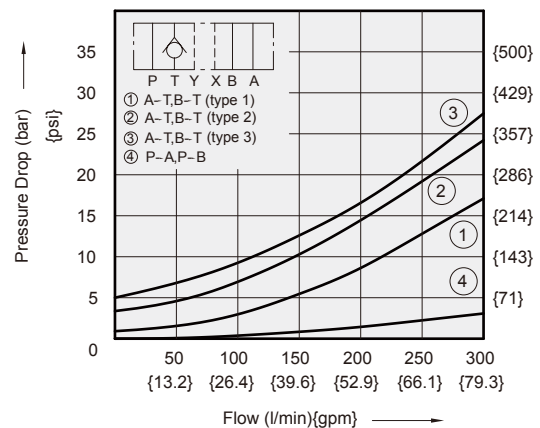
Pressure Drop Characteristic

■ MCV-04-P-*-10



Regulated Pressure V.S. Flow Diagram

■ MCV-04-T-*-10



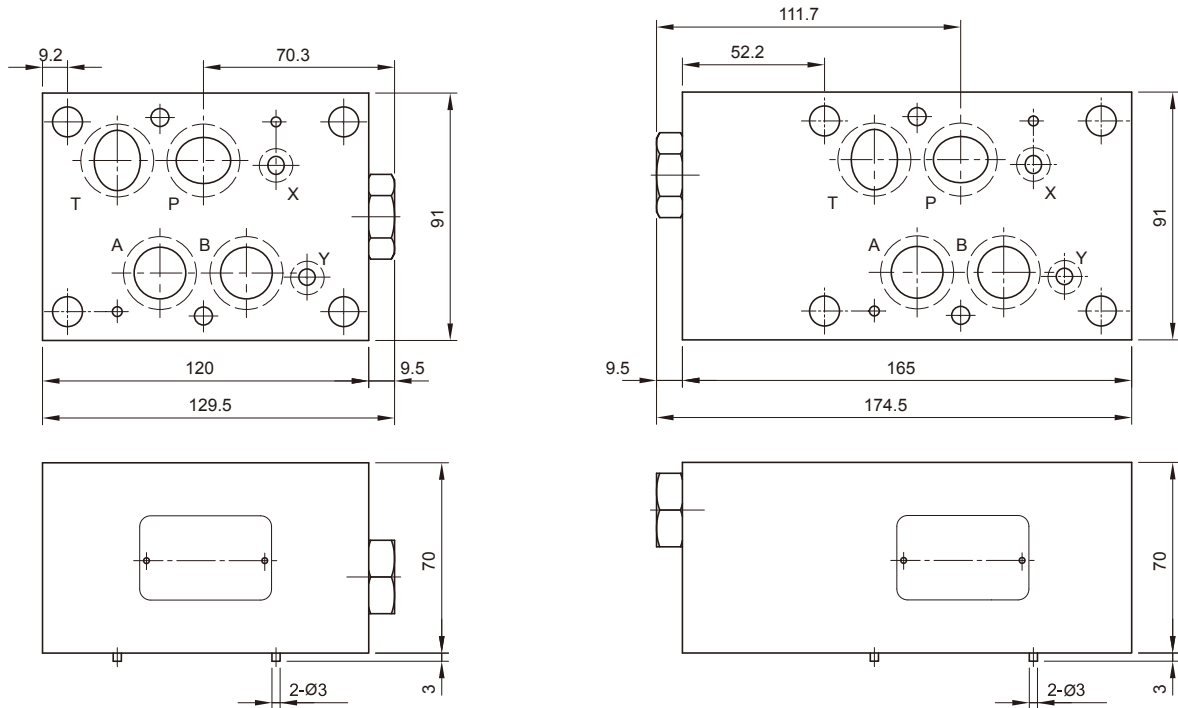
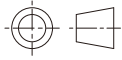
CHECK VALVE SANDWICH PLATE DESIGN MCV04 SIZE 16

DIMENSIONS :

■ MCV-04-P-*-10
 MCV-04-A-*-10

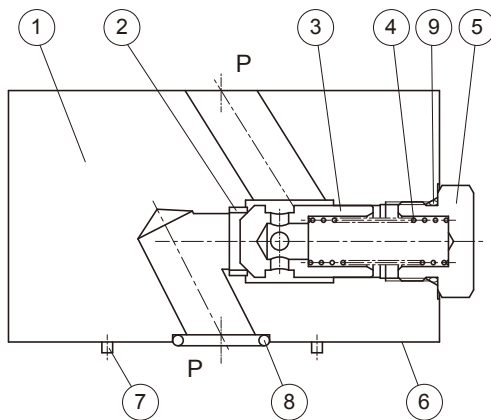
■ MCV-04-T-*-10

3rd angle projection



CROSS SECTION DRAWING :

■ MCV-04-P-*-10



1. Body
2. Seat
3. Poppet
4. Spring
5. Nut
6. Connections to DIN 24340 from A16;
6 through holes for fixing screws
7. 2 Locating Pins
8. O-ring:
Ports A,B,P,T: AS568-118(NBR,Hs90);
Ports X,Y: AS568-013(NBR,Hs90)
9. O-ring 1B-P20