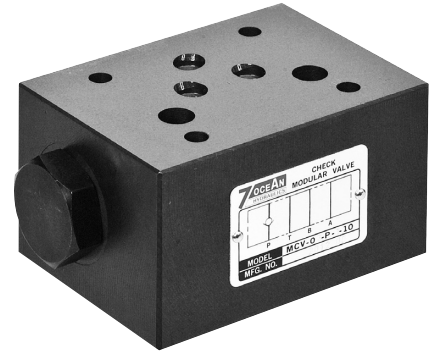


CHECK VALVE

SANDWICH PLATE DESIGN MCV03 SIZE 10

FEATURES :

- Highest performance in NG 10
- Sandwich plate design for use in vertical stacking assemblies
- Direct operated check valve
- 4 different isolating functions
- Connections to DIN, ISO and CETOP



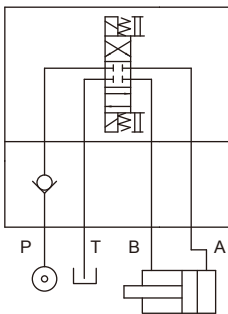
Model: MCV-03-P-1-10

SPECIFICATION :

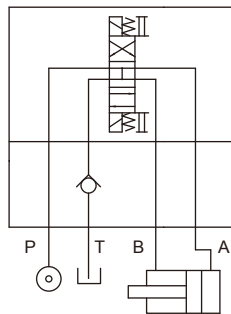
Maximum Flow Rate	100 l/Min (26.5 GPM)	
Maximum working pressure	320 Bar (4570 PSI)	
Spring cracking pressure	1: 0.4 Bar (5.7 PSI)	
	2: 3.5 Bar (50 PSI)	
	3: 5 Bar (71 PSI)	
Ambient Temperature Range	-20°C ~ +50°C	
Hydraulic Fluid Temperature Range	-20°C ~ +70°C	
Viscosity Range	15~400 mm ² /S	
Hydraulic Oil	ISO VG32, 46, 68	
Fluid Cleanliness	25 μm	
Mounting Pattern	ISO 4401-AC-05-4-A	
Weight	P Type	2.8 kg
	T Type	2.8 kg
	A Type	3.6 kg
	B Type	3.6 kg

HYDRAULIC CONFIGURATION:

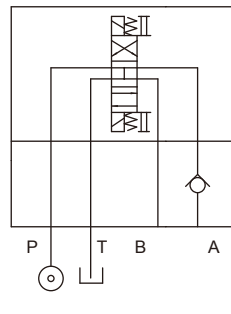
■ MCV-03-P-*-10



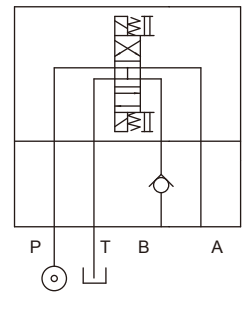
■ MCV-03-T-*-10



■ MCV-03-A-*-10



■ MCV-03-B-*-10



CHECK VALVE SANDWICH PLATE DESIGN MCV03 SIZE 10

ORDERING CODE :

M CV - 03 - P - 1 - 10 - **

1 2 3 4 5 6 7

1 SANDWICH PLATE DESIGN

2 CHECK VALVE

3 NOMINAL VALVE SIZE:

NG 10, CETOP 5 and ISO 4401-05 (NFPA-D05/DIN 24340)

4 CONFIGURATION

P: single; acting on port P

T: single; acting on port T

A: single; acting on port A

B: single; acting on port B

5 SPRING CRACKING PRESSURE

1: 0.4 Bar

2: 3.5 Bar

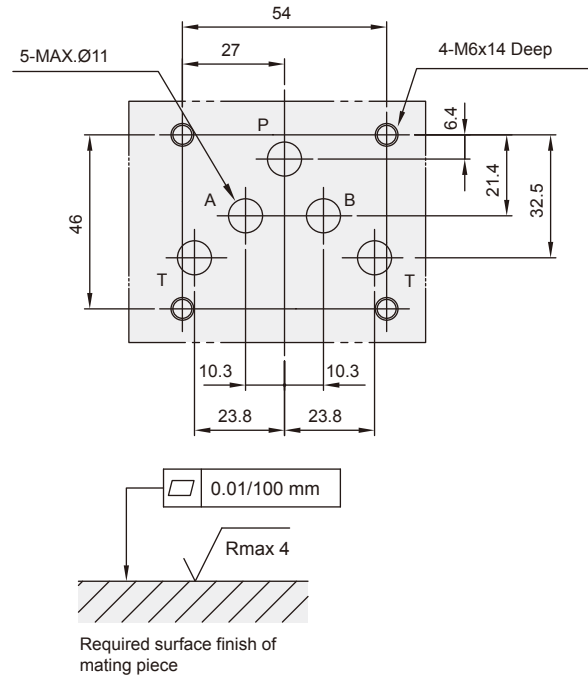
3: 5.0 Bar

6 DESIGN NUMBER

7 OPTIONAL INQUIRY

INSTALLATION DIMENSIONS:

(Machined valve mounting face with position of ports)

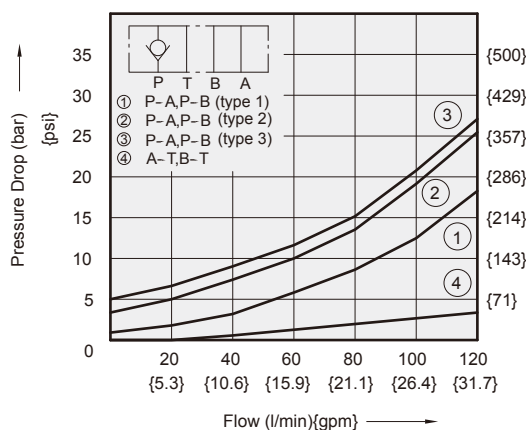


PERFORMANCE CURVES:

Viscosity of Hydraulic Fluid: 32 mm²/s

Pressure Drop Characteristic

■ MCV-03-P-*-10



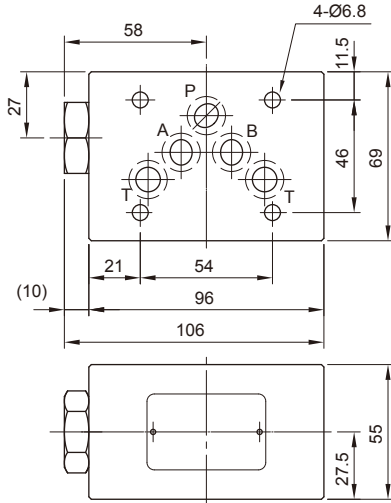
CHECK VALVE

SANDWICH PLATE DESIGN MCV03 SIZE 10

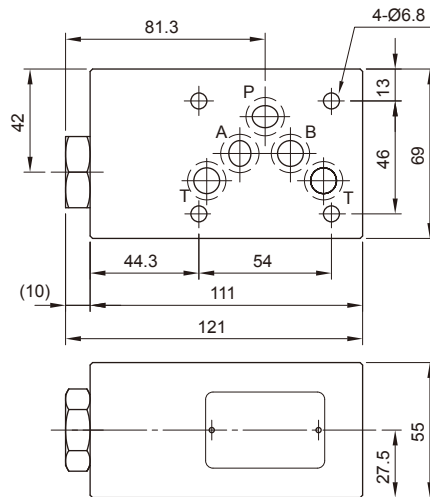
DIMENSIONS :



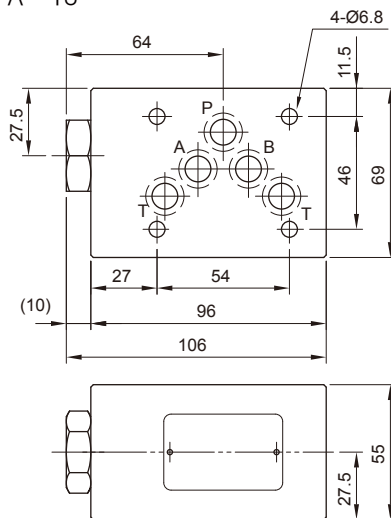
■ MCV-03-P-*-10



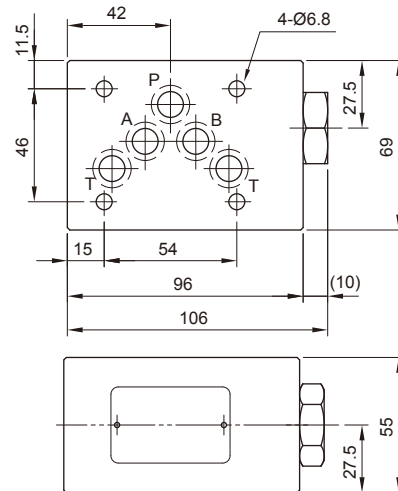
■ MCV-03-T-*-10



■ MCV-03-A-*-10

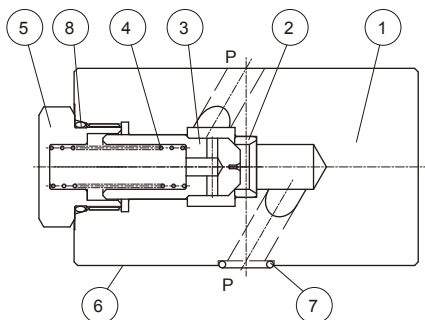


■ MCV-03-B-*-10



CROSS SECTION DRAWING :

■ MCV-03-P-*-10



1. Body
2. Seat
3. Poppet
4. Spring
5. Nut
6. Connections to DIN 24340 from A10; valve fixing screws M6x90 DIN 912-10.9, tightening torque 12~15 Nm
7. O-ring AS586-014(Hs90) for ports A,B,P and T
8. O-ring 1B-P29