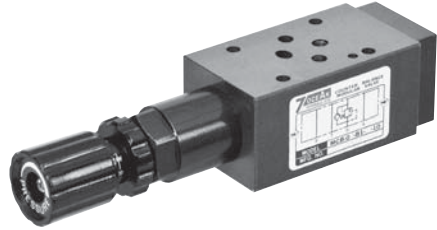


COUNTER BALANCE VALVE

SANDWICH PLATE DESIGN MCB02 SIZE 6

FEATURES :

- Highest performance in NG 6.
- Direct operated pressure counter balance valve
- Used for actuator back pressure control
- Sandwich plate design
- 2 Pressure adjusting ranges
- Connections to DIN, ISO and CETOP



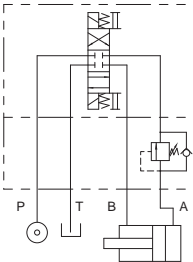
Model: MCB-02-B1-1-10

SPECIFICATION :

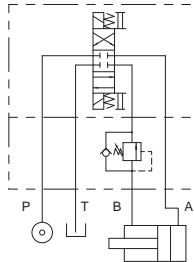
Maximum Flow Rate		40 l/Min (10.6 GPM)
Maximum working pressure		320 Bar (4570 PSI)
Pressure Adjusting Range		1: 8~70 Bar
		2: 35~140 Bar
Ambient Temperature Range		-20°C~+50°C
Hydraulic Fluid Temperature Range		-20°C~+70°C
Viscosity Range		15~400 mm ² /S
Hydraulic Oil		ISO VG32, 46, 68
Fluid Cleanliness		25μm
Mounting Pattern		ISO 4401-AB-03-4-A
Weight	A Type	1.1 kg
	B Type	1.1 kg

HYDRAULIC CONFIGURATION:

■ MCB-02-A1-*-10



■ MCB-02-B1-*-10



COUNTER BALANCE VALVE

SANDWICH PLATE DESIGN MCB02 SIZE 6

ORDERING CODE :

M CB - 02 - A 1 - 1 - 10 - **

1 2 3 4 5 6 7 8

1 SANDWICH PLATE DESIGN

2 COUNTER BALANCE VALVE

3 NOMINAL VALVE SIZE:

NG 6, CETOP 3 and ISO 4401-03 (NFPA-D03/DIN 24340)

4 CONTROL PORT

A: A port;

B: B port

5 CONTROL TYPE

1: internal pilot, internal drain

6 PRESSURE ADJUSTING RANGE

1: 8~70 Bar

2: 35~140 Bar

7 DESIGN NUMBER

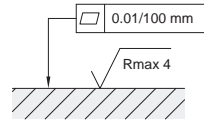
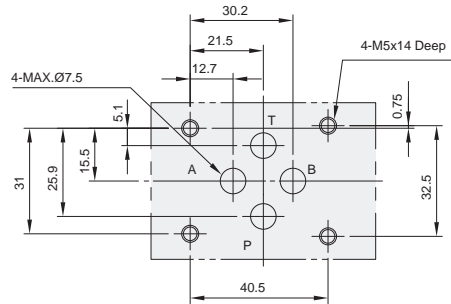
10: with handle

20: without handle

8 OPTIONAL INQUIRY

INSTALLATION DIMENSIONS:

(Machined valve mounting face with position of ports)



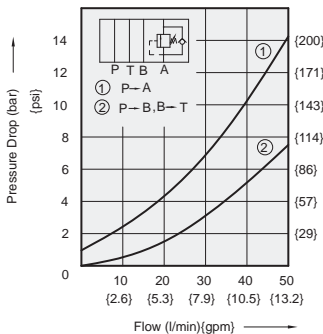
Required surface finish of mating piece

PERFORMANCE CURVES:

Viscosity of Hydraulic Fluid: 32 mm²/s

Pressure Drop Characteristic

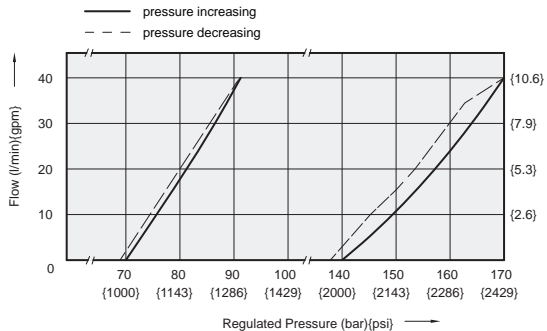
■ MCB-02-A1-*-10



Regulated Pressure Versus Flow Diagram

■ MCB-02-A1-*-10

■ MCB-02-B1-*-10



COUNTER BALANCE VALVE

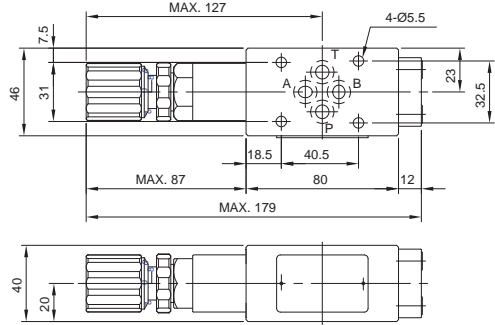
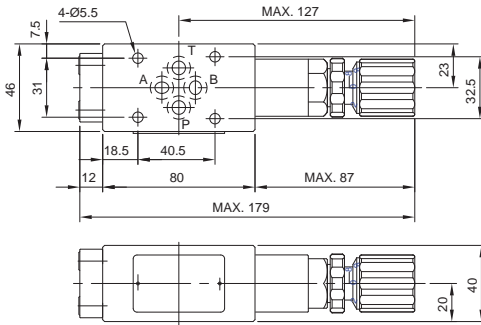
SANDWICH PLATE DESIGN MCB02 SIZE 6

DIMENSIONS :

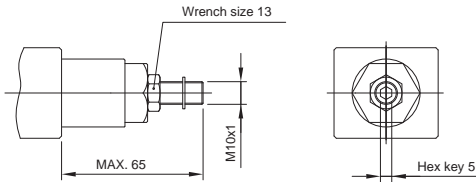
■ MCB-02-A1- *-10

■ MCB-02-B1- *-10

3rd angle
projection

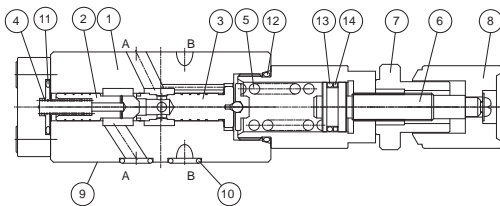


■ MCB-02- *- *-20



CROSS SECTION DRAWING :

■ MCB-02-A1- *-10



- | | |
|---|-----------------------|
| 1. Body | 10. O-ring 1B-P9 |
| 2. Poppet | for ports A,B,P and T |
| 3. Spool | 11. O-ring 1B-P16 |
| 4. Poppet spring | 12. O-RING 1B-P20 |
| 5. Adjustment spring | 13. O-RING 1A-P14 |
| 6. Setting screw | 14. O-RING BU-P14 |
| 7. Locking nut | |
| 8. Adjustment element | |
| 9. Connections to DIN 24340 from A6;
valve fixing screws M5 DIN 912-10.9
tightening torque 8~9 Nm | |

B

MCB02 SIZE 6