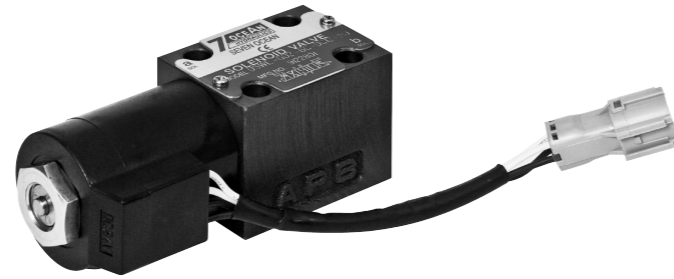


SOLENOID OPERATED
DIRECTIONAL CONTROL VALVE DSWL-G02 SIZE 6

FEATURES :

- Push-Pull valve is developed for automatic gear-box.
- Extensively applied to construction machine, mining machine and engineering automobile.
- Permissible Contamination Level: within NAS 1638 Class 12.
- High and low temperature resistance.



Model: DSWL-G02-6C-DC*-50

SPECIFICATION :

Maximum Flow Rate	15 L/Min (7 MPa)	
Maximum Operating Pressure	7 MPa	
Maximum Permissible Back Pressure	2 MPa	
Ambient Temperature Range	-25°C~+60°C	
Hydraulic Fluid Temperature	-25°C~+90°C	
Viscosity Range	13~300 mm ² /S	
Fluid Cleanliness	Below 25 μm	
Vibration Tolerance	JIS D1601 Type-3 Class-D Stage-7	
Waterproof Tolerance	JIS D 0203 S2	
Degree of Protection	IP 65	
Maximum Change over Frequency	120 Times/Min	
Mounting Pattern	ISO 4401-AB-03-4-A	
Approx. Weight	1.7 kg	
Valve Fixing Screws	Metric	M5 x 45L (4pcs)
	Inch	10#~24UNCx1-3/4"L (4pcs)
Tightening Torque	5~7 Nm (51~71 kgf/cm)	

SOLENOID OPERATED
DIRECTIONAL CONTROL VALVE DSWL-G02 SIZE 6

ORDERING CODE :

DSWL - G 02 - 6C - DC12 - 50 - 01
1 2 3 4 5 6 7

- 1** DIRECTIONAL CONTROL VALVE
- 2** MANIFOLD OR SUBPLATE MOUNTING
- 3** NOMINAL VALVE SIZE

NG 6, CETOP 3 and ISO 4401-03 (NFPA-D03/DIN 24340)

- 4** TYPE OF SPOOL
- 5** ELECTRIC POWER SOURCE INDICATION

DC12: DC12V
DC24: DC24V

- 7** DESIGN NUMBER

50: Coil at B side
50A: Coil at A side

- 8** CONNECTOR & TERMINAL TYPE

Connector and terminal can be made as request

SPOOL TYPES:

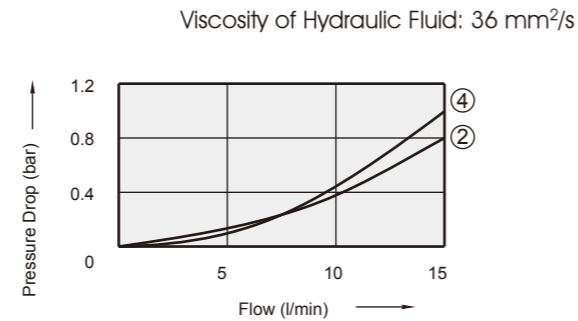
Position type during transition	Double solenoid valves, solenoid at port A end -*C-50A-	Double solenoid valves, solenoid at port B end -*C-50-
2 (C)		
6 (C)		

*() : Rexroth Model

SOLENOID OPERATED
DIRECTIONAL CONTROL VALVE **DSWL-G02 SIZE 6**

PERFORMANCE FIGURES & CURVES:
Pressure Drop Curve Reference Chart

Spool Type	C			
	Control Position			
	P→A	P→B	A→T	B→T
2 (C)	4	4	4	2
6 (C)	4	4	2	2



FEATURES OF ELECTRO-MAGNETIC COIL:

Voltage (V)	Holding Current (A)	Holding Power (W)	Permissible Voltage (V)	Insulation Grade	Coil Insulation Class	Insulation Resistance (MΩ)
24	0.97	25	21.6~26.4	B	H (180°C)	>50
12	1.83	25	10.8~13.2			

WIRING:

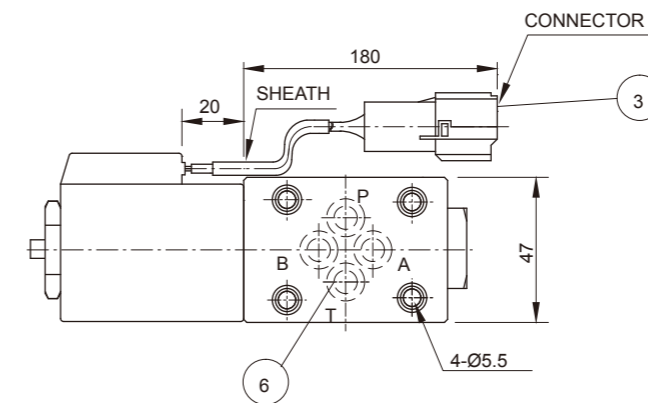
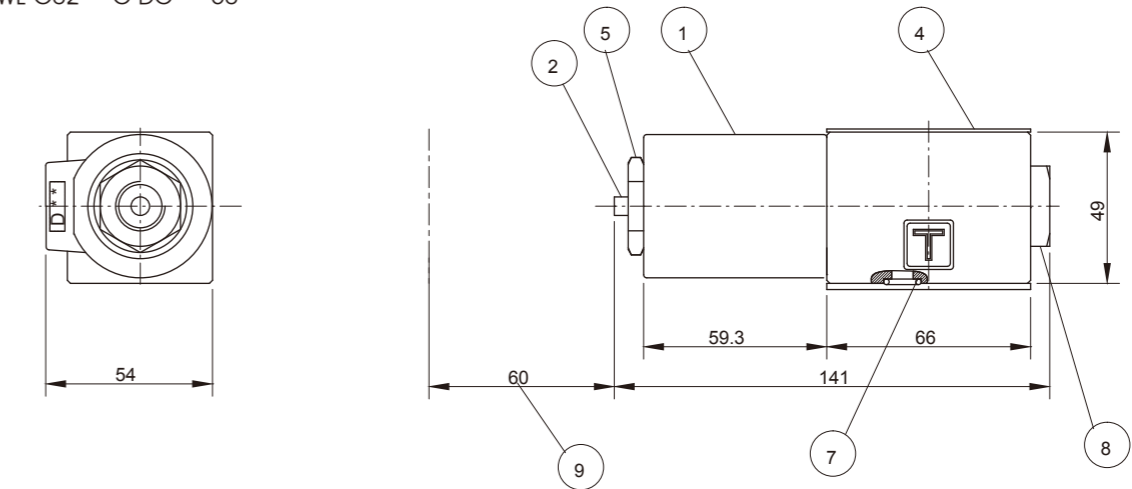
■ DSWL-G02-*C-DC* *-50/50A

Note:
1. Standard type
2. Connector and terminal could be made as request.

SOLENOID OPERATED
DIRECTIONAL CONTROL VALVE **DSWL-G02 SIZE 6**

DIMENSIONS:

■ DSWL-G02- *C-DC* *-50



- 1: Coil and Solenoid
- 2: Push pin for manual operation
- 3: Connector
- 4: Nameplate
- 5: Lock nut with torque
- 6: Connections to DIN 24340 NG 6 (ISO4401-AB-03-4-A); valve fixing screws M5x45; tightening torque 5~7 Nm
- 7: O-ring 1B~P9
- 8: Hex nut
- 9: Coil removable length

■ DSWL-G02- *C-DC* *-50A

