

RIGHT ANGLE TYPE CHECK VALVE

FEATURES :

- The valve allows free flow in one direction and prevents flow in the reverse direction.
- Cracking pressure specified is the pressure required to open the valve and allow free flow.
- Non ISO type is also available upon request.



Model: CRG-03-2-10

SPECIFICATION :

Model	CRG-03-*-10	CRG-06-*-10	CRG-10-*-10
Max. Flow	40 L/Min	125 L/Min	250 L/Min
Max Operating Pressure	250 Bar		
Allowable Back Pressure	1: 0.4 Bar		
	2: 3.5 Bar		
	3: 5.0 Bar		
Ambient Temperature Range	ISO 5781-AG-06-2-A	ISO 5781-AH-08-2-A	ISO 5781-AJ-10-2-A
Weight	1.7 kg	2.9 kg	5.5 kg
Mounting Bolts	M10 x 45L (4pcs)	M10 x 50L (4pcs)	M10 x 55L (6pcs)

ORDERING CODE :

CR G - 03 - 1 - 10

1 2 3 4 5

- 1 RIGHT ANGLE TYPE CHECK VALVE
- 2 MANIFOLD OR SUBPLATE MOUNTIN
- 3 NOMINAL VALVE SIZE
 - 03: 3/8"
 - 06: 3/4"
 - 10: 1-1/4"
- 4 CHECK VALVE CRACKING PRESSURE
 - 1: 0.4 Bar
 - 2: 3.5 Bar
 - 3: 5.0 Bar
- 5 DESIGN NUMBER

GRAPHIC SYMBOL :

■ CRG-*-*-10



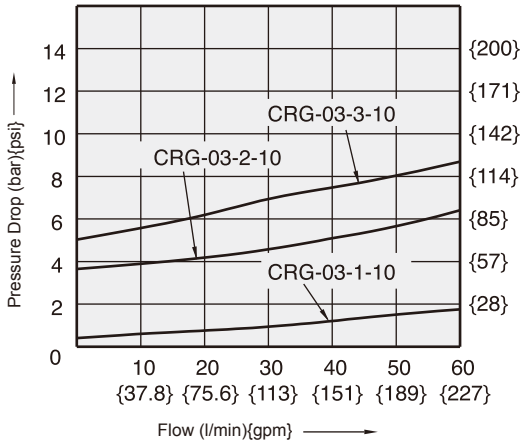
RIGHT ANGLE TYPE CHECK VALVE

PERFORMANCE CURVES:

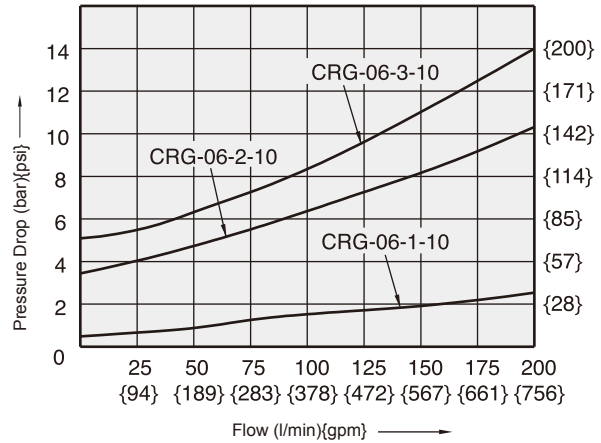
Viscosity of Hydraulic Fluid: 32 mm²/s

Pressure Drop Characteristic

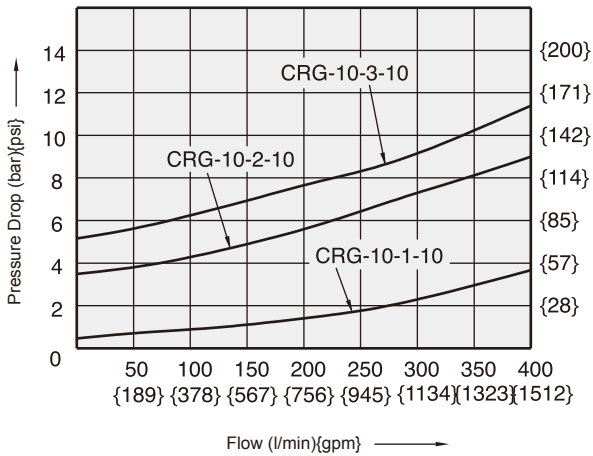
■ CRG-03-*-10



■ CRG-06-*-10

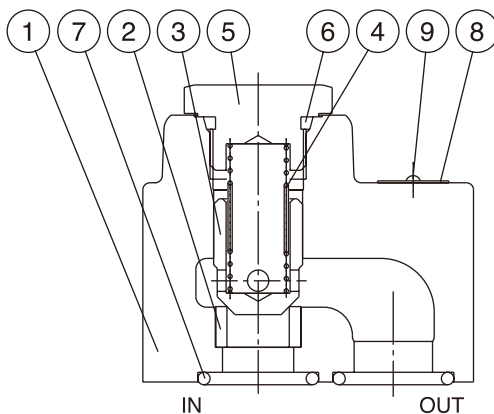


■ CRG-10-*-10



CROSS SECTION DRAWING :

■ CRG-06-*-10



- | | |
|-----------|--------------|
| 1. Body | 6. Ring |
| 2. Seat | 7. Ring |
| 3. Poppet | 8. Nameplate |
| 4. Spring | 9. Rivet |
| 5. Nut | |

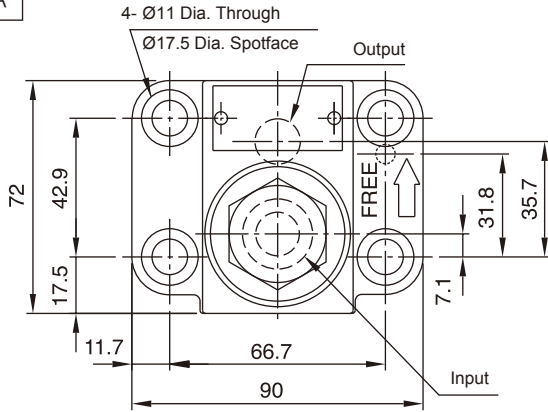
RIGHT ANGLE TYPE CHECK VALVE

DIMENSIONS :

■ CRG-03-* -10

Mounting Surface:
ISO 5781-AG-06-2-A

Mounting Bolts:
M10 x 45L x 4 pcs

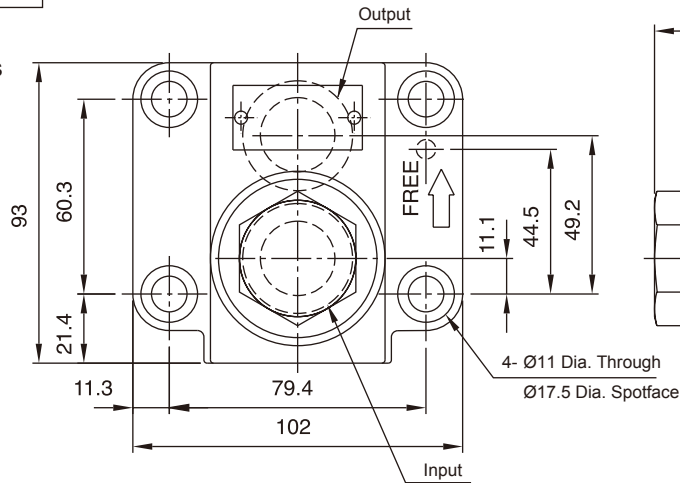


3rd angle projection

■ CRG-06-* -10

Mounting Surface:
ISO 5781-AH-08-2-A

Mounting Bolts:
M10 x 50L x 4 pcs



■ CRG-10-* -10

Mounting Surface:
ISO 5781-AJ-10-2-A

Mounting Bolts:
M10 x 55L x 6 pcs

