

# CAM OPERATED DIRECTIONAL VALVE (MECHANICALLY OPERATED DIRECTIONAL VALVE)

## FEATURES :

- This valve can be used to shift the flow direction by depressing the spool with a cam.
- Can be applied to injection machine for safety control.
- Resist high pressure.
- Standard DIN, ISO, CETOP, NFPA interfaces.



Model: CDV-G02-2AL-1-20

## SPECIFICATION :

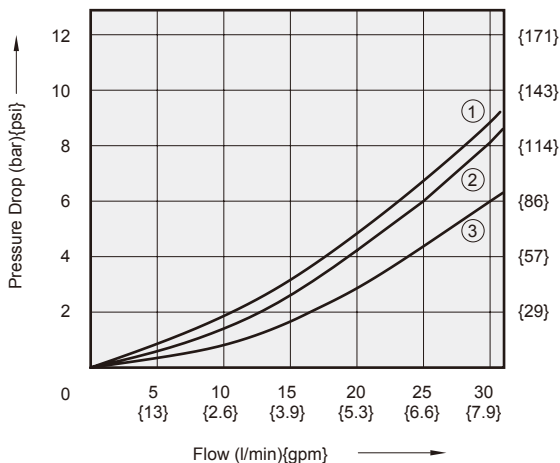
Max. Flow	30 L/Min (7.9 GPM)
Max Operating Pressure	250 Bar (3625 PSI)
Allowable Back Pressure	70 Bar (1000 PSI)
Ambient Temperature Range	-20°C ~ +50°C
Hydraulic Fluid Temperature	-20°C ~ +50°C
Viscosity Range	15~400 mm <sup>2</sup> /S
Hydraulic Oil	ISO VG32, 46, 68
Fluid Cleanliness	25 μm
Mounting Surface	ISO 4401-AB-03-4-A
Weight	1.1 kg

## PERFORMANCE CURVE :

Viscosity of Hydraulic Fluid: 32 mm<sup>2</sup>/s

### Pressure Drop vs. Flow

■ CDV-\*02-\*-20



Model	Curve			
	P→A	B→T	P→B	A→T
CDV-T02-0AL	1	1	2	1
CDV-T02-2AL	1	1	2	1
CDV-T02-22AL	2	-	2	-
CDV-G02-0AL	2	2	3	3
CDV-G02-2AL	2	2	3	3
CDV-G02-22AL	3	-	3	-

# CAM OPERATED DIRECTIONAL VALVE (MECHANICALLY OPERATED DIRECTIONAL VALVE)

ORDERING CODE :

CDV - G 02 - 2AL - 1 - 20 - R

1 2 3 4 5 6 7

## 1 CAM OPERATED DIRECTIONAL VALVE

## 2 SUBPLATE MOUNTING

G: Subplate Mounting

T: Threaded Connection

## 3 NOMINAL VALVE SIZE

NG 6, CETOP 3 and ISO 4401-03 (NFPA-D03/DIN 24340)

## 4 SPOOL TYPE

## 5 ROLLER

0: Without Roller

1: With Roller

## 6 DESING NUMBER

## 7 CAM POSITION

None: Cam on T side (standard)

R: Cam on P side

Y: Cam faced up

Position type during transition	Single solenoid valves, solenoid at port A end -A-	Single solenoid valves, solenoid at port B end -AL-
0	CDV-*02-0A 	CDV-*02-0AL 
2	CDV-*02-2A 	CDV-*02-2AL 
22	CDV-*02-22A 	CDV-*02-22AL 

FLOW DIRECTION & ROLLER POSITION:

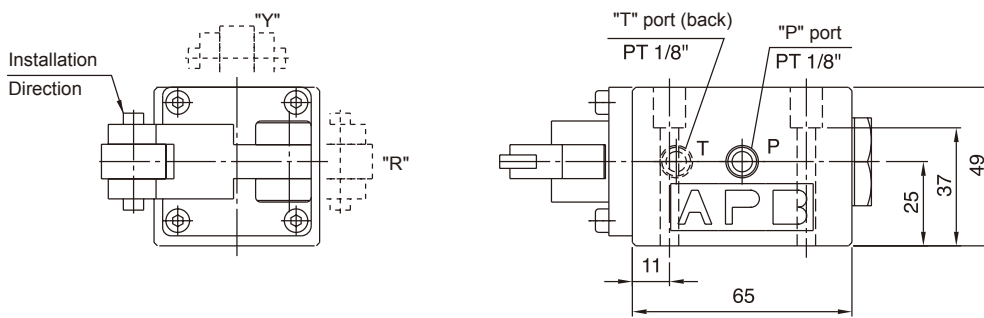
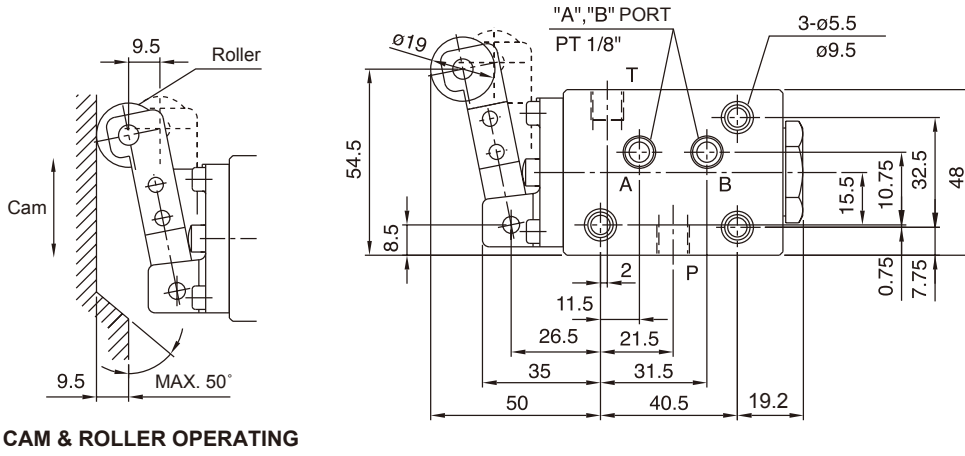
Spool Types	Graphic Symbols	FLOW DIRECTION & ROLLER POSITION	
		PUSH	PULL
0		 P → A B → T ALL CLOSE 0 3.8 4.6 9.5	 P → B A → T ALL OPEN 0 3.8 4.6 9.5
2A		 P → A B → T ALL CLOSE 0 3.8 4.6 9.5	 P → B A → T ALL OPEN 0 3.8 4.6 9.5
22A		 P → A B and T close ALL CLOSE 0 3.8 4.6 9.5	 P → B A and T close ALL OPEN 0 3.8 4.6 9.5
0AL		 P → B A → T ALL CLOSE 0 3.8 4.6 9.5	 P → A B → T ALL OPEN 0 3.8 4.6 9.5
2AL		 P → B A → T ALL CLOSE 0 3.8 4.6 9.5	 P → A B → T ALL OPEN 0 3.8 4.6 9.5
22AL		 P → B A and T close ALL CLOSE 0 3.8 4.6 9.5	 P → A B and T close ALL OPEN 0 3.8 4.6 9.5

# CAM OPERATED DIRECTIONAL VALVE (MECHANICALLY OPERATED DIRECTIONAL VALVE)

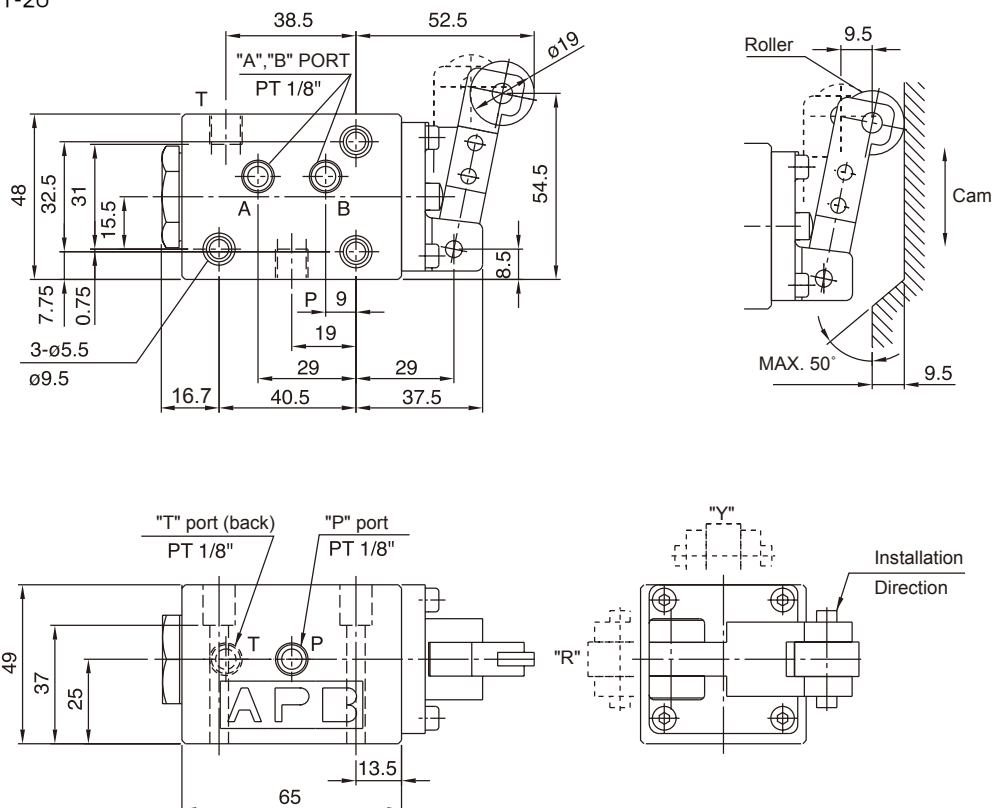
DIMENSIONS :

■ CDV-T02-\*A-1-20

3rd angle projection 



■ CDV-T02-\*AL-1-20



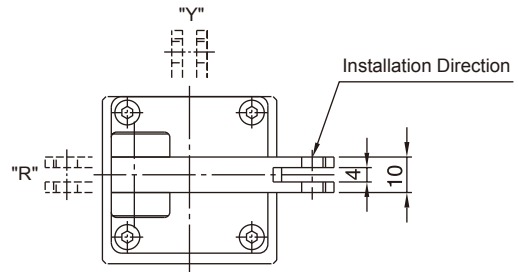
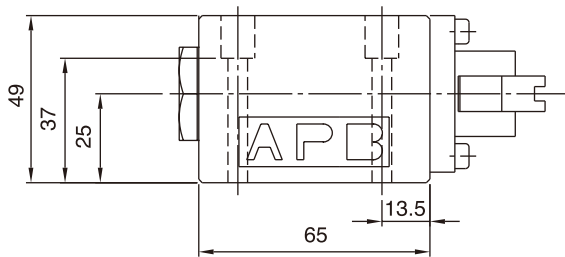
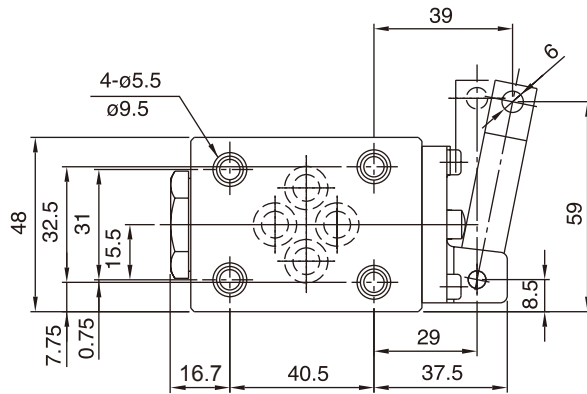


# CAM OPERATED DIRECTIONAL VALVE (MECHANICALLY OPERATED DIRECTIONAL VALVE)

DIMENSIONS :

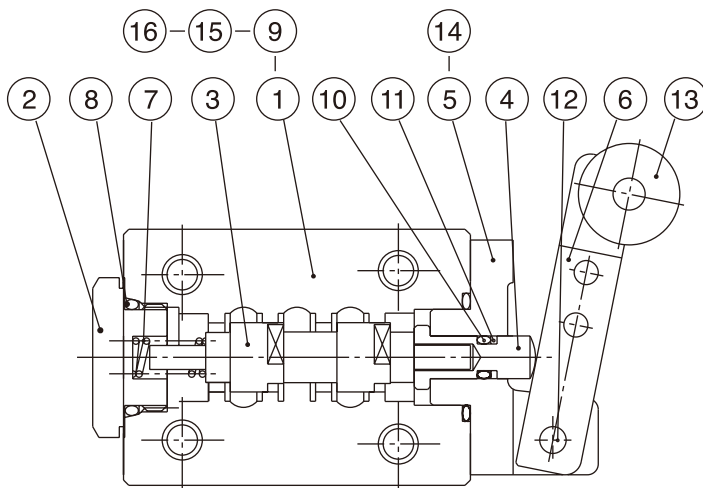
■ CDV-G02-\*AL-0-20

3rd angle projection 



## CROSS SECTION DRAWING :

■ CDV-G02-\*AL-1-20



- |                |                |
|----------------|----------------|
| 1. Body        | 9. O-ring      |
| 2. Nut         | 10. O-ring     |
| 3. Spool       | 11. B/U-ring   |
| 4. Push rod    | 12. Pin        |
| 5. Front cover | 13. Roller     |
| 6. Link        | 14. Screw      |
| 7. Spring      | 15. Name plate |
| 8. O-ring      | 16. Rivet      |

No.	PARTS NAME	PARTS NO.	QTY
8	O-ring	P18 x 90°	2
9	O-ring	P9 x 90°	4
10	O-ring	P5 x 70°	1